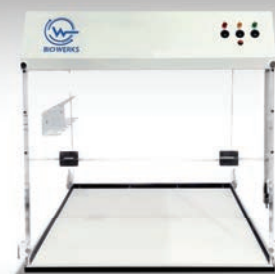
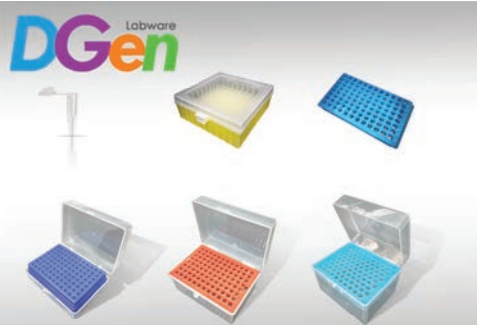
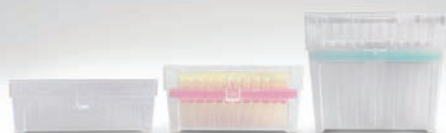


# NP CHEM

*Your Best Lab Services Provider*



## Servicebio



## FOUR E'S SCIENTIFIC



## CAPP DENMARK



## MERCK



### Location

1/48 Phutthamonthon 2 Road, 21/1 Yaek 5  
Salatammasop, Taweewattana, Bangkok, 10170

### Social

www.npchem.co.th  
facebook: NP CHEM  
Youtube: NP Chemical Supply Co., Ltd.

### Contact us

02-050-1515, 02-050-1616, 02-050-1661  
E-mail: info@npchem.co.th,  
E-mail: sale@npchem.co.th  
Line official: @npchemsupply

# PRODUCT CATALOG 2022-23

# ตู้ปฏิบัติการพีซีอาร์ (PCR cabinet) พร้อมขาตั้ง

รุ่น BW-PCR-001 ยี่ห้อ Biowerks

CAT.NO.	DESCRIPTION	LIST PRICE
BW-PCR-001	ตู้ปฏิบัติการพีซีอาร์ PCR cabinet with stand, Biowerks	36,000 Baht

Note: These prices are VAT 7% excluded



**BW-PCR-001**

## Features:

- UV Protection
- UV light with timer (15 minutes)
- Foldable door with lock
- Pipettes hanger included

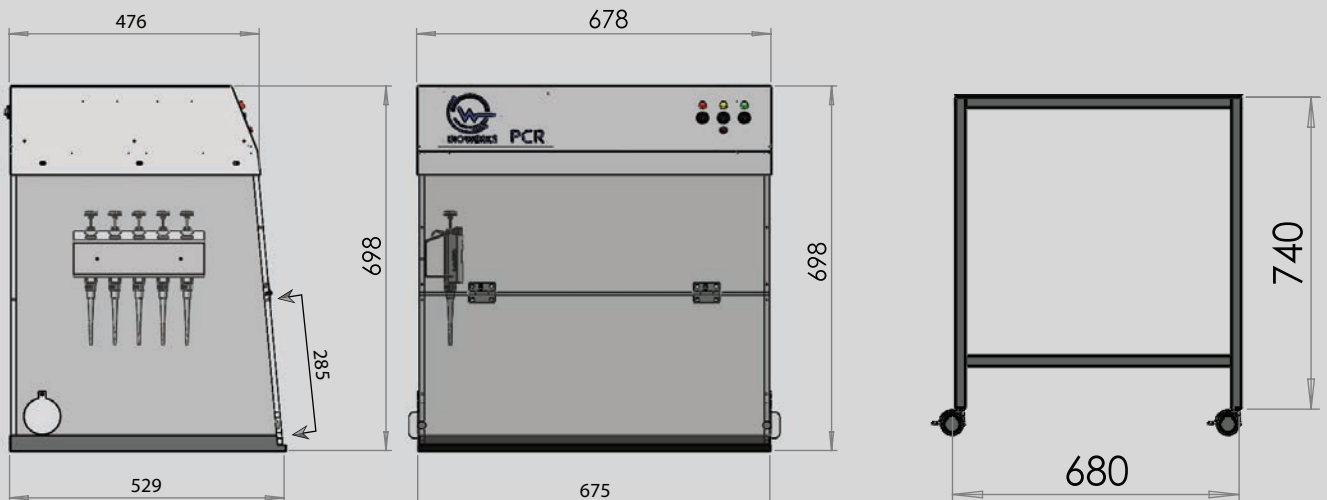
## Specifications:

Working area (DxW)	500x645 mm
Model	BW-PCR-001
Dimensions (DxWxH)	529 x 675 x 698 mm
Material	Transparent Acrylic (10 mm thickness)
UV Light	15 Watt radiation peak 254 nm
White Light	15 Watt
Power	220V, 50Hz

## รายละเอียดคุณลักษณะ

เป็นตู้สำหรับปฏิบัติการพีซีอาร์ ทำจากอะครีลิกใสหนาอย่างน้อย 10 มิลลิเมตร ป้องกันแสงอุลตราไวโอเลต มีขนาดภายนอกตู้ไม่น้อยกว่า (กว้าง x ยาว x สูง) 470 x 670 x 690 มิลลิเมตร มีหลอดอุลตราไวโอเลตขนาด 15 วัตต์ จำนวน 1 หลอด พร้อมสวิตช์เปิด-ปิด หลอดไฟฟลูออเรสเซนต์ ขนาด 15 วัตต์ จำนวน 1 หลอด พร้อมสวิตช์เปิด-ปิด มีระบบการตั้งเวลาการทำงานของหลอดอุลตราไวโอเลตอย่างน้อย 15 นาที หลอดอุลตราไวโอเลตให้ Radiation peak 254 นาโนเมตร และมีอายุการใช้งาน 8,000 ชั่วโมง ประตูด้านหน้าตู้สามารถเปิดและล็อกได้ ภายในตู้มีที่สำหรับแขวนปิเปต (Pipette hanger) ใช้ไฟฟ้า 220 โวลท์ 50 เฮิรต

รับประกันคุณภาพ 1 ปี



**NP** | CHEM

*Your Best Lab Services Provider*

**MERCK**

# chemical duty pump promotion



**Cat no. :** WP6122050

**Description :** Chemical Duty Pump, 220 V/50 Hz

**BUY 24,900 THB**

# Servicebio Price



CAT.NO.	DESCRIPTION	LIST PRICE
EP-1501-J	15 ml centrifuge tubes, sterile individually wrap, 50 pcs/pkg,	350 Baht
EP-5001-J	50 ml centrifuge tubes, sterile individually wrap, 25 pcs/pkg,	350 Baht
EP-150-EJ	Microcentrifuge tubes, 1.5 ml, sterile, RNase DNase Free, 500 pcs/Pkg,	400 Baht
EP-200-EJ	Microcentrifuge tubes, 2.0 ml, sterile, RNase DNase Free, 500 pcs/Pkg,	430 Baht
PCR-0802-FC	8 strip PCR tube 0.2 ml with flat cap, 125 pcs/pkg,	1,900 Baht
CV-2-ET	Cryogenic vial 2 ml, sterile eo, PP, 100 pcs/pkg,	1,280 Baht
TP-10P	Universal Tips, 10 ul, RNase DNase Free, Sterile, 1000/Pk,	350 Baht
TP-1000P	Universal Tips, 1000 ul, RNase DNase Free, Sterile, 500/Pk,	350 Baht
TP-200P	Universal Tips, 200 ul, RNase DNase Free, Sterile, 1000/Pk,	350 Baht
TP-10XL-C-F	Filter Tips, Universal, RNase & DNase Free, 10 ul, long, 96 pcs/box	175 Baht
TP-10-C-F	Filter Tips, Universal, RNase & DNase Free, 10 ul, 96 pcs/box	175 Baht
TP-1000-C-F	Filter Tips, Universal, RNase & DNase Free, 1000 ul, 96 pcs/box	175 Baht
TP-20-C-F	Filter Tips, Universal, RNase & DNase Free, 20 ul, 96 pcs/box	175 Baht
TP-200-C-F	Filter Tips, Universal, RNase & DNase Free, 200 ul, 96 pcs/box	175 Baht
GTP-10	Universal Pipette Tips, 0.5-10 ul, Sterile, Clear, Non-Pyrogenic, DNaseRNase Freee, 96 tips/box,	175 Baht
GTP-1000	Universal Pipette Tips, 100-1000 ul, Sterile, Clear, Non-Pyrogenic, DNaseRNase Freee, 96 tips/box,	175 Baht
GTP-200	Universal Pipette Tips, 20-200 ul, Sterile, Clear, Non-Pyrogenic, DNaseRNase Freee, 96 tips/box,	175 Baht

<b>CAT.NO.</b>	<b>DESCRIPTION</b>	<b>LIST PRICE</b>
BPD-90	Petri Dish 90 mm, non-TC treated, 500 pcs/carton, Servicebio	<b>2,200 Baht</b>
CCD-100	Petri Dish 100 mm, TC treated, 500 pcs/ carton, Servicebio	<b>6,500 Baht</b>
CCP-6H	6 well cell culture plate (PS) Blister Packing, 50 pcs/ carton, Servicebio	<b>2,500 Baht</b>
CCP-96H	96 well cell culture pate (PS), Flat Bottom, Blister Packing, 100 pcs/ carton	<b>3,600 Baht</b>
EP-1500-BJ	15 ml centrifuge tubes, sterile , 50 pcs/pkg, Servicebio	<b>350 Baht</b>
EP-5000-BJ	50 ml centrifuge tubes, V Bottom, sterile, 25 pcs/pkg, Servicebio	<b>350 Baht</b>
EP-5010-BJ	50 ml centrifuge tubes, U Bottom, sterile, 25 pcs/pkg, Servicebio	<b>350 Baht</b>
EP-5020-BJ	50 ml centrifuge tubes, V Bottom Skirted, sterile, 25 pcs/pkg, Servicebio	<b>350 Baht</b>
G9004-81	81 well Lab Cryogenic Vial Storage Box, Servicebio	<b>160 Baht</b>
PCR-0801-FC	8 strip PCR tube 0.1 ml with flat cap, 125 pcs/pkg, Servicebio	<b>1,900 Baht</b>
SP-10-SF	Serological Pipette, 10 ml, PS, 200 pcs/carton, Servicebio	<b>1,750 Baht</b>
SP-1-SF	Serological Pipette, 1 ml, PS, 1000 pcs/ carton, Servicebio	<b>5,300 Baht</b>
SP-25-SF	Serological Pipette, 25 ml, PS, 200 pcs/carton, Servicebio	<b>2,900 Baht</b>
SP-50-SF	Serological Pipette, 50 ml, PS, 100 pcs/carton, Servicebio	<b>2,900 Baht</b>
SP-5-SF	Serological Pipette, 5 ml, PS, 200 pcs/carton , Servicebio	<b>1,650 Baht</b>
SPW-6S	Electrophoresis Power Supply, Servicebio	<b>35,000 Baht</b>
SVE-2	Western Blot Vertical Electrophoresis Tank, Servicebio	<b>19,000 Baht</b>
SVL-2	Electrophoresis Tank (Horizontal) + Blue Light Transilluminator, Servicebio	<b>16,500 Baht</b>
SVT-2	Western Blot Transfer Electrophoresis Tank, Servicebio	<b>15,000 Baht</b>
TP-1250-J	Tips, 1250 ul, RNase DNase Free, Sterile, 500/Pk, Servicebio	<b>800 Baht</b>
TR-1500	15 ml Centrifuge tubes Rack 18 well, Servicebio	<b>350 Baht</b>
TR-5000	50 ml Centrifuge tubes Rack 8 well, Servicebio	<b>350 Baht</b>



# Servicebio



# Pipettes Four E



## Promotion

*Buy 3 Pay 6,000 Baht or buy 4 Pay 7,500 Baht*

CAT.NO.	DESCRIPTION	LIST PRICE
LH0301001	Single channel Adjustable Volume Pipette, 0.1-2.0 ul, Four E Sci	3,000 Baht
LH0301002	Single-channel Adjustable Volume Pipettes, 0.5-10ul, Increment: 0.01ul, Four E Sci	3,000 Baht
LH0301003	Single-channel Adjustable Volume Pipettes, 2-20ul, Increment: 0.02ul, Four E Sci	3,000 Baht
LH0301005	Single channel Adjustable Volume Pipette, 10-100 ul, Four E Sci	3,000 Baht
LH0301006	Single-channel Adjustable Volume Pipettes, 20-200ul, Increment: 0.2ul, Four E Sci	3,000 Baht
LH0301007	Single-channel Adjustable Volume Pipettes, 100-1000ul, Increment: 1ul, Four E Sci	3,000 Baht
LH0301008	Single-channel Adjustable Volume Pipettes, 1-5 ml, Increment: 5 ul, Four E Sci	3,000 Baht
LH0301009	Single-channel Adjustable Volume Pipettes, 1-10ml, Increment: 10ul, Four E Sci	3,000 Baht



CAT.NO.	DESCRIPTION	LIST PRICE
TS-SP-12	8-Channel Pipette, adjustable vol. 0.5-10 ul, Four E Sci	12,000 Baht
TS-SP-13	8-Channel Pipette, adjustable vol. 5-50 ul, Four E Sci	12,000 Baht
TS-SP-14	8-Channel Pipette, adjustable vol. 50-300 ul, Four E Sci	12,000 Baht
TS-SP-15	12-Channel Pipette, adjustable vol. 0.5-10 ul, Four E Sci	12,000 Baht
TS-SP-16	12-Channel Pipette, adjustable vol. 5-50 ul, Four E Sci	12,000 Baht
TS-SP-17	12-Channel Pipette, adjustable vol. 50-300 ul, Four E Sci	12,000 Baht

Note: These prices are VAT 7% excluded



**CF0201001**

Mini Centrifuge, Max Speed 5400 rpm, capacity 0.2/0.5/1.5/2.0 ml x 6 tubes, Four E Scientific

**6,900 Baht**



**CF0201002**

High Speed micro centrifuge 500-15000rpm for 0.2,0.5,1.5,2.0ml x 12 tubes, Four E Scientific

**26,500 Baht**



**CF0202003**

Clinical Centrifuge Speed: 200-4500rpm, Max. RCF 2940xg, Four E Scientific

**18,900 Baht**



**MI0101001**

Mini-Vortex Mixer, Touch function, fixed speed 3,000 rpm, Four E Scientific

**3,500 Baht**



**MI0101002**

Vortex Mixer, Speed 0-3000 rpm, Continuous/touch function, Four E Scientific

**6,500 Baht**



**MI0101002D**

LED Vortex Mixer, Speed 0-3000 rpm, Continuous/touch function, Four E Scientific

**7,500 Baht**



**MI0102001**

Mini Magnetic Stirrer, 15-1500 rpm, stir max 800 ml, dimension 115x175x12 mm, Four E Scientific

**3,500 Baht**



**MI0102003**

Magnetic Hotplate Stirrer with probe (without rod and clamp), plate diameter 5 inch (135 mm), LED, Stainless steel plate with ceramic coated, Temp up to 280 C., Speed Range 100-1500 rpm, Stirring (H2O) up to 5 Litres, Four E Sci

with rod and clamp **9,400 Baht**

without rod and clamp **8,000 Baht**



**MI0103002**

Orbital and Linear Shaker with universal attachment with 4 bars, Speed Range: 30-500 rpm, Time Range: 0- 99 hr 59 min, Four E Scientific

**32,000 Baht**



**TC0401001**

Heating Block Dry Bath Incubator, 1 block, Temp up to 150 Celcius, Time Range: 1 min - 99 Hr 59 min, Four E Sci

**9,900 Baht**



**TC0401002**

Heating Block Dry Bath Incubator, 2 block, Temp up to 150 Celcius, Time Range: 1 min - 99 Hr 59 min, Four E Sci

**12,000 Baht**



**TC0401003**

Heating Block Dry Bath Incubator with 4 blocks, RT+5C to 150C, Four E Sci

**25,000 Baht**

**Promotion when buy with block Special offer 3,000 Baht per block**



**TC0401005**

Mini Dry Bath Incubator, Temp range: RT+5C - 100C, Time 0-99Hr59min, Four E Sci

**7,500 Baht**

**Promotion free 1 block**



**TC0401006**

Mini Dry Bath Incubator with Heating Lid, Temp range: RT+5C - 100C, Time 0-99Hr59min, Four E Sci

**9,500 Baht**

**Promotion free 1 block**



**WB101**

Water Bath, 2 Lt, temp range up to 99 c, Time setting 1-999min ,Four E Sci

**9,200 Baht**



**WB201**

Water Bath, 5 Lt, temp range up to 99 c, Time setting 1-999min ,Four E Sci

**14,500 Baht**



**EP101**

LCD Display Pipette Controller 0.1-100ml, Four E Sci

**8,900 Baht**



**TD-BD-02**

Bottle-Top Dispenser Vol. 1.0-10ml (Graduation 0.2ml) , FOUR E Sci

**8,800 Baht**

**TD-BD-03**

Bottle-Top Dispenser Vol. 2.5-25ml (Graduation 0.5ml) , FOUR E Sci

**8,900 Baht**

Note: These prices are VAT 7% excluded



# ACCESSORIES



MI0101002-13  
Standard top

**350 Baht**



MI0101002-14  
Universal top plate

**900 Baht**



MI0101002-31  
Test Tube Attachment, 54 x  $\Phi$ 6mm,  
used with MI0101002-14

**600 Baht**



MI0101002-32  
Test Tube Attachment, 18 x  $\Phi$ 10mm,  
used with MI0101002-14

**600 Baht**



MI0101002-34  
Test Tube Attachment, 8 x  $\Phi$ 16mm,  
used with MI0101002-14

**600 Baht**



MI0101002-38  
Platform pad for <  $\Phi$ 99mm  
tubes & small vessels

**500 Baht**



## CAT.NO.

## DESCRIPTION

## LIST PRICE

TC0401001-35	single block, Eppendorf tubes, 20 x 1.5mL, $\Phi$ 11.5mm x 36.9mm	3,900 Baht
TC0401001-55	single block, vials, 6 x 50ml $\Phi$ 29.0 x 47.6mm	3,500 Baht
TC0401001-60	single block, PCR tube, 30 x 0.5mL, $\Phi$ 7.9mm x 27.6mm	3,900 Baht
TC0401001-63	single block, Eppendorf tubes, 20 x 2.0ml, $\Phi$ 11.5mm x 38.1mm	3,900 Baht
TC0401001-70	single block, Round tubes, 20 x 12/13mm, $\Phi$ 13.9mm x 48.4mm	4,300 Baht
TC0401001-71	single block, Round tubes, 12 x 15/16mm, $\Phi$ 17.5mm x 48.4mm	3,500 Baht
TC0401001-74	single block, Round tubes, 4 x 35mm, $\Phi$ 35mm x 47.6mm	3,900 Baht
TC0401001-85	single block, 10x8 PCR tube strips, 0.2ml tubes	5,300 Baht

Note: These prices are VAT 7% excluded

# Product IKA



## Vortex 3

**Cat.no. 0003340000**

Vortex shaker suitable for short-time operation (touch function), activated by pressing shaker attachment or continuous operation.

**9,500 Baht**



## G-L High Speed Centrifuge

**Cat.no. 30000774**

Separating substances at medium rotational speeds: IKA G-L is the ideal midi centrifuge for all types of separation processes such as those found in molecular biology. It can be used with standard 1.5/2 ml vessels, as well as with PCR strips. The cover opens automatically at the press of a button.

**40,000 Baht**



## Thermoshaker

**Cat.no. 30000731**

IKA Matrix Orbital mixes and is suitable for variable inserts. Whether its blood samples, pharmaceutical agents, DNA/RNA samples or ELISA assays – samples with even the smallest volumes mix reliably and completely in all laboratory applications. No cross-contamination and an optimal mixing result.

**99,000 Baht**



## Matrix 1.5 ml attachment

**Cat.no. 30000829**

Matrix 1.5 ml attachment (Accessories of 30000731 Matrix Orbital Delta plus), IKA

**15,000 Baht**

# Pipettes

## SAFE LIQUID HANDLING FOR FIXED AND VARIABLE VOLUMES

Pipettes are indispensable classics in the laboratory. They are designed for the precise metering, measurement and preparation of liquid samples and thus provide an important base for many different analysis and verification processes.

The manual pipettes in the IKA PETTE range are piston lift pipettes and carry out metering in accordance with the so-called air cushion principle. An air cushion separates the sample in the attached tip of the pipette from the piston. Pressing the pipetting button causes the piston to slide downwards, pushing out some of the air. Slow release of the button now generates vacuum, and the liquid is drawn up into the tip of the pipette. Pushing the button once more causes the piston to slide downwards, pushing out the air to deposit the liquid again.

The PETTE is available in 18 different volumes, from the micro-pipette, starting at 0.1  $\mu\text{l}$  up to a metering volume of 10 ml. Ten models have a fixed volume, eight are adjustable in volume. They are fully autoclavable and can thus be sterilized very easily. This ensures flawlessness, precision and safety. The color coding of the single-channel pipettes fix and vario makes quick selection of the right pipette easy. In addition, the pipettes are, of course, impact-resistant, UV resistant and chemically resistant and thus provide reliable metering.

The air cushion pipettes are always used in combination with plastic single-use pipette tips. In order to prevent cross-contamination, particularly when metering critical liquids, it is important not to touch the tips and to change them after use.



# IKA Tip, IKA Pette



**Cat.No: 0020017829**

IKA Tip I bag, Pipette tip, 5 ml, transparent, calibration rings, 250 pcs./bag  
(CAT NO: 70.1183.002 Sarstedt, suitable for IKA, Eppendorf, Four E)

**1,500 Baht**

**Cat.No: 0020017831**

IKA Tip xl bag, Pipette tip, 10 ml, transparent, calibration rings, 200 pcs./bag  
(CAT NO: 70.1187.001 Sarstedt, suitable for IKA, Eppendorf, Gilson, Four E)

**2,500 Baht**

**Cat.No: 0020017831-100**

IKA Tip xl bag, Pipette tip, 10 ml, transparent, calibration rings, 100 pcs./bag  
(CAT NO: 70.1187.001 Sarstedt, suitable for IKA, Eppendorf, Gilson, Four E)

**1,350 Baht**

CAT.NO.	DESCRIPTION	LIST PRICE
0020011210	IKA Pette vario 0.1-2 ul, fully autoclavable, exchangeable grips in different shapes	4,500 Baht
0020011211	IKA Pette vario 0.5-10 ul, fully autoclavable, exchangeable grips in different shapes	4,500 Baht
0020011213	IKA Pette vario 2-20 ul, fully autoclavable, exchangeable grips in different shapes	4,500 Baht
0020011214	IKA Pette vario 10-100 ul, fully autoclavable, exchangeable grips in different shapes	4,500 Baht
0020011215	IKA Pette vario 20-200 ul, fully autoclavable, exchangeable grips in different shapes	4,500 Baht
0020011216	IKA Pette vario 100-1,000 ul, fully autoclavable, exchangeable grips in different shapes	4,500 Baht
0020011217	IKA Pette vario 0.5-5 ml, fully autoclavable, exchangeable grips in different shapes	4,500 Baht
0020011218	IKA Pette vario 1-10 ml, fully autoclavable, exchangeable grips in different shapes	4,500 Baht
0020017943	IKA PETTE MULTICHANNEL 8 x 0.5-10 ul	19,900 Bath
0020017944	IKA PETTE MULTICHANNEL 8 x 10-100 ul	19,900 Bath
0020017945	IKA PETTE MULTICHANNEL 8 x 20-200 ul	19,900 Bath







CAT.NO.	DESCRIPTION	LIST PRICE
DN0002	Petri Dish, 60x15 mm, Polystyrene, Sterile, DGen, 1000 Pcs/case	2,200 Baht
DN0005	Petri Dish, 90x15 mm, Polystyrene, Sterile, 10 pcs/pkg, 500 pcs/case, DGen	1.900 Baht
DN0011	Petri Dish ,150x15 mm, Polystyrene, Sterile, DGen, 200 Pcs/case	2,200 Baht
DN1001	Centrifuge tubes, 50 ml, self standing (skirt) with screw cap, non-sterile, 25 pcs/pkg, DGen	275 Baht
DN1003	Centrifuge tubes, 50 ml, conical bottom with screw cap, non-sterile, 25 pcs/pkg, DGen	275 Baht
DN1004	Centrifuge tubes, 15 ml, conical bottom with screw cap, non-sterile, 50 pcs/pkg, DGen	360 Baht
DN1006	Centrifuge Tube, 10 ml, 200 Pcs/Pkg, DGen	650 Baht
DN1008	Centrifuge Tube, 5 ml, PP, non-sterile, 300pcs/pkg, DGen	500 Baht
DN1009	PCR tubes ,0.2 ml , non-sterile, DGen, 1000 Pcs/Pk	850 Baht
DN1010	PCR tubes, 0.5 ml, non-sterile, 1000 Pcs/Pk, DGent	850 Baht
DN1011	Micro centrifuge tubes, 1.5 ml, non-sterile, DGen, 500 Pcs/Pk	330 Baht
DN1012	Micro centrifuge tubes with snap lock, 1.5 ml, non-sterile, DGen, 500 Pcs/Pk	330 Baht
DN1013	Micro centrifuge tubes, 2 ml, non-sterile, 500 Pcs/Pk, DGen	440 Baht
DN1016	Cryovial tube, 5 ml, non-sterile, DGen, 200 Pcs/Pk	1,450 Baht
DN1017	Cryovial tube, 2.0 ml, non-sterile, DGen, 500 Pcs/Pk	2,400 Baht
DN1017-S	Cryovial tube, 2.0 ml, sterile, DGen, 500 Pcs/Pk	2.600 Baht
DN1023	Test tubes, 12x75 mm, PP, non-sterile, DGen, 500 Pcs/Pk	530 Baht
DN1024	Test tubes, 12x75 mm, PS, non-sterile, DGen, 500 Pcs/Pk	530 Baht
DN1027	Test tubes, 13x100 mm, PP, non-sterile, DGen, 500 Pcs/Pk	550 Baht
DN1028	Test tubes, 13x100 mm, PS, non-sterile, DGen, 300 Pcs/Pk	620 Baht
DN1031	Test tubes, 16x100 mm, PP, non-sterile, DGen, 500 Pcs/Pk	550 Baht
DN1032	Test tubes, 16x100 mm, PS, non-sterile, DGen, 300 Pcs/Pk	330 Baht
DN1036	Test tube stopper ,13 mm ,Dgen ,1000 Pcs/Pk	300 Baht
DN1037	Test tube stopper ,16 mm ,DGen, 500 Pcs/Pk	300 Baht



CAT.NO	DESCRIPTION	LIST PRICE
DN2002	Transfer pipette, length 65 mm, bulk pack, non-sterile, DGen, 1000 Pcs/Pk	720 Baht
DN2006	Pasteur pipette (Transfer pipette), 1 ml (145 mm), bulk pack, non-sterile, DGen, 500 Pcs/Pk	390 Baht
DN2007	Pasteur pipette (Transfer pipette), 1 ml (160 mm), bulk pack, non-sterile, DGen, 500 Pcs/Pk	390 Baht
DN2009	Pasteur pipette (Transfer pipette), 3 ml (160 mm), bulk pack, non-sterile, DGen, 500 Pcs/Pk	500 Baht
DN2014	Tips for Gilson pipette ,10 ul white ,Dgen ,1000 Pcs/Pk	250 Baht
DN2014-R	Tips with Box, 10 ul (white), non-sterile, 96 Pcs/Box, DGen	150 Baht
DN2015	Tips for Gilson pipette ,200 ul (yellow), non-sterile, 1000Pcs/Pk, DGen	250 Baht
DN2015-R	Tips with Box ,200 ul (yellow), non-sterile, 96 Pcs/Box, DGen	150 Baht
DN2016	Tips for Gilson pipette, 1000 ul (blue), non-sterile, 500 Pcs/Pk, DGen	360 Baht
DN2016-R	Tips with Box, 1000 ul (blue), non-sterile, 100 Pcs/Box, DGen	150 Baht
DN2020	Tips for Gilson pipette ,5000 ul (white), non-sterile, 300Pcs/Pk, DGen	770 Baht
DN20201	Tips for Gilson pipette ,10000 ul (white), non-sterile, 100Pcs/Pk, DGen	880 Baht
DN4010	กล่องเก็บแผ่นสไลด์ Microscope slide storage for 50 pcs slide, DGen	155 Baht
DN4011	กล่องเก็บแผ่นสไลด์ Microscope slide storage for 100 pcs slide, DGen	220 Baht
DN4014	PCR tube box, 96 wells for 0.2 ml PCR tubes, DGen	150 Baht
DN4016	Microcentrifuge tube rack, 96wells, for 0.5ml/1.5ml tubes, double use, PP, DGen	150 Baht
DN4018	Freezing box with lid (no hinge),50 wells for 1.8 cryotubes ,DGen	120 Baht
DN4020	Freezing box with lid (no hinge),100 wells for 1.8 cryotubes ,DGen	130 Baht
DN4021	Freezing box, Hinge type, 100 wells, PP, for1.5 ml microcentrifuge tubes & 1.8 ml cryotubes, DGen	180 Baht
DN4026	Slot for reagent (Reservoir), PP, 50 ml, Autoclavable, DGen , 5 Pcs/Pkg	160 Baht
DN4027	96 wells Box for 10 ul Tip , 96 wells, DGen, Tip box	100 Baht
DN4028	96 wells Box for 200 ul Tip , 96 wells, DGen, Tip box	100 Baht
DN4031	100 wells Box for 1000 ul Tip , DGen, Tip box (กล่องใส่ปิเปตทิป 96 ช่อง)	125 Baht
DN4039	96 well Culture Plate, Flat shape bottom, PS, Sterile, 1pc/polybag (Case of 100 pcs), DGen	2,650 Baht
DN50031	L Shape, Cell Spreader, dimension: 15x4 cm, individual sterile, 100 pcs/pkg, DGen	620 Baht
DN7109G	Microscope slides, Dimension 25.4x76.2 mm, green frosted end, 50 Pcs/Box, DGen	250 Baht
DN7109W	Microscope slides, Dimension 25.4x76.2 mm, white frosted end, 50 Pcs/Box, DGen	250 Baht
DN9001	ที่วางเครื่องอัตโนมัติเปิด Pipette Stand, 5 Places, DGen	900 Baht

Note: These prices are VAT 7% excluded





## EXPELL BULK PIPETTE TIPS

Expell and ExpellPlus Bulk tips come in self-standing and self-sealing plastic bags, enabling comfortable usage and storage. The tips can be used directly from the bag or can be manually refilled into all Capp racks. Each bag has a label showing the catalogue and the batch number for easier identification.

**Promotion**  
**Buy 10 free 3 or Buy 4 free 1**

CAT.NO	DESCRIPTION	LIST PRICE
5130010C	Expell Pipette tips, clear, 10 ul, 1000 Pcs/Pkg (RNase/DNase/DNA & Pyrogen free), Capp (Denmark), 20Pkg/case	350 Baht
5130070C	Expell Pipette tips, clear, 200 ul, 1000 Pcs/Pkg (RNase/DNase/DNA & Pyrogen free), Capp (Denmark), 10pkg/case	350 Baht
5130130C	Expell Pipette tips, clear, 1000 ul (1250 ul), 1000 Pcs/Pkg (RNase/DNase/DNA & Pyrogen free), Capp (Denmark) 5pkg/case	450 Baht

Note: These prices are VAT 7% excluded