

Oak Ridge Centrifuge Tube





Info.

Material: Polypropelene (PP)

Temperature range: -10°C to 121°C

- Re-usable and autoclavable at 121°C
- Can be used up to 50,000 x g in refrigerated or non-refrigerated centrifuges - Tubes must be filled to 80% of volume for proper performance
- Polypropylene (PP) tube and screw cap with integral seal ring for leakproof

		
SKU	CE 03931	CE 03948
Volume	50 ml	85 ml
Packing	10 pcs. / pack	10 pcs. / pack
Max. REF	50,000	50,000

Note :

Autoclavable

Food Grade

Leakproof

PP

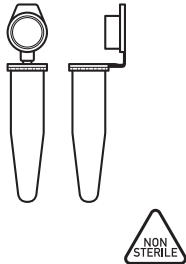
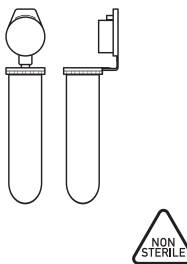
Microtubes



Info.

Material: Polypropelene (PP)
Temperature range: -10°C to 121°C

- Clarity for better visual inspection
- Safe-lock tubes provide outstanding stability, perfect sealing and protection from evaporation and accidental opening
- Flat cap with a beveled edge comfortable for opening and closing
- Frosted writing area on tube for labeling and writing
- Clear molded graduations on tube
- Flat top with a writable surface
- RNase, DNase, DNA and Pyrogen free available upon required

		
SKU	111540	111541
Volume	1.5 ml	2.0 ml
Dimension	41(H) x 13 (Dia) mm	45(H) x 13 (Dia) mm
Packing	500 pcs. / pack	1,000 pcs. / pack
Sterile	No	
Graduation	<ul style="list-style-type: none"> - 1.0 ml - 0.5 ml - 0.1 ml 	<ul style="list-style-type: none"> - 2.0 ml - 1.5 ml - 1.0 ml - 0.5 ml

Note :

Autoclavable

Food Grade

Leakproof

PP

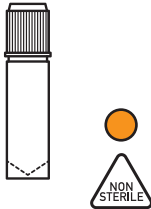
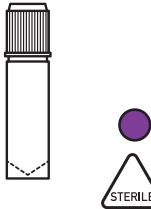
Cryotubes



Info.

Material: Polypropelene (PP)
Temperature range: -10°C to 121°C

Cryotubes or Cryogenic Vials are made of Polypropylene (PP). Non-cytotoxic and non-pyrogenic. It has skirt at the bottom, which is self-standing without a holder. Deep-skirted closure allows single-handed aseptic technique without exposing fingers to vial contents. Along the vial has a white marking area for naming, fill line and graduations printed on vial.

		
SKU	111540	111541
Volume	2.0 ml	
Dimension	45(H) x 13 (Dia) mm	
Packing	500 pcs. / pack	
O-Ring	No	Yes
Sterile	No	Yes
Graduation	- 2.0 ml - 1.5 ml - 1.0 ml - 0.5 ml	

Note :

Autoclavable

Food Grade

Leakproof

PP

Round Test Tubes



Info. Material: Polypropylene (PP)
Temperature range: -10°C to 121°C

Manufactured from ultra clear polypropylene for excellent chemical resistance. External silk-screen clear white graduation with white surface for marking area. With stand temperature extremes (Autoclavable) polypropylene screw closure is tight and safe against overturning. High centrifugation of 9500 g (It is also depending on adapter and temperature)

SKU	110441	110442	111040	BSM 4801	BSM 4802	119130	117131	
Volume	5 ml	6 ml	10 ml		-			
Cap	No			Yes (Screw Cap)		-		
Dimension	12(Dia)x75(H) mm.	13(Dia)x100(H) mm.	16(Dia)x100(H) mm.				12(Dia) mm.	16(Dia) mm.
Packing	1,000 pcs. / pack			200 pcs. / pack	50 pcs. / pack	1,000 pcs. / pack		
Graduation	No Graduation		- 12 ml - 11 ml - 10 ml - 9 ml - 8 ml - 7 ml - 6 ml - 5 ml - 4 ml - 3 ml - 2 ml - 1 ml	No Graduation		No Graduation		

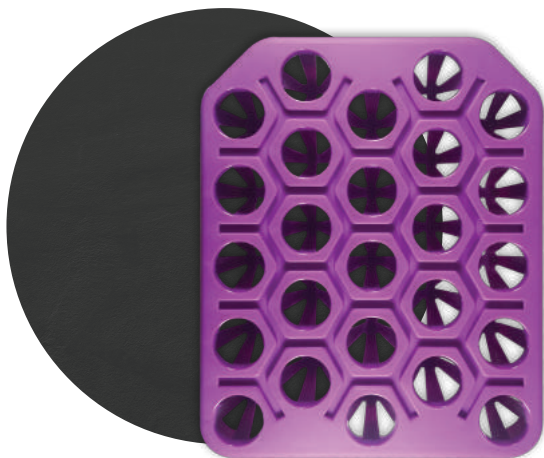
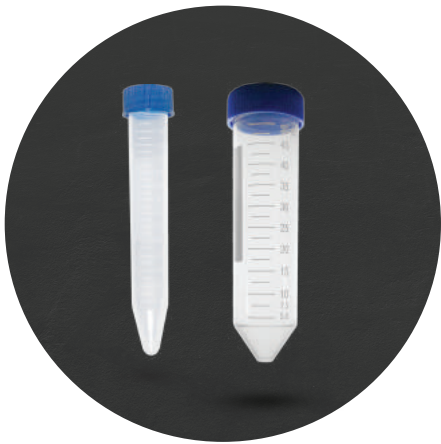
Note :

Autoclavable

Food Grade

Leakproof

PP



Centrifuge Tubes

Info. **Material: Polypropylene (PP)**
Temperature range: -10°C to 121°C

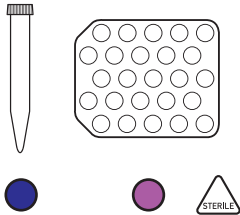
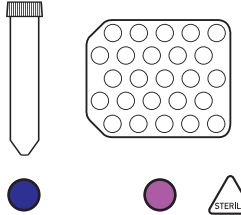
Manufactured from ultra clear polypropylene for excellent chemical resistance.
 External silk-screen clear white graduation with white surface for marking area.
 With stand temperature extremes of -40 C to + 121 C (Autoclavable)
 polypropylene screw closure is tight and safe against overturning.
 High centrifugation of 9500 g (It is also depending on adapter and temperature)

SKU	111547	111548	116047	116048	116038	116039
Volume	15 ml		50 ml			
Skirt	No				Yes	
Sterile	No	Yes	No	Yes	No	Yes
Dimension	17(Dia) x 120(H) mm		29(Dia) x 115(H) mm			
Packing	125 pcs/ Pack	50 pcs/ Pack		25 pcs/ Pack	50 pcs/ Pack	25 pcs/ Pack
Graduation	- 14 ml - 13 ml - 12 ml - 11 ml - 10 ml - 9 ml - 8 ml - 7 ml - 6 ml - 5 ml - 4 ml - 3 ml - 2 ml	- 14 ml - 13 ml - 12 ml - 11 ml - 10 ml - 9 ml - 8 ml - 7 ml - 6 ml - 5 ml - 4 ml - 3 ml - 2 ml	- 45 ml - 40 ml - 35 ml - 30 ml - 25 ml - 20 ml - 15 ml - 10 ml - 5 ml	- 50 ml - 45 ml - 40 ml - 35 ml - 30 ml - 25 ml - 20 ml - 15 ml - 10 ml - 7.5 ml - 5 ml	- 45 ml - 40 ml - 35 ml - 30 ml - 25 ml - 20 ml - 15 ml - 10 ml - 5 ml	

Note :

Autoclavable Food Grade Leakproof PP

Centrifuge Tubes with Rack

		
SKU	111548-R	116048-R
Volume	15 ml	50 ml
Skirt	No	
Sterile	Yes	
Dimension	Tube : 17(Dia) x 120(H) mm Rack : 115(W) x 140(L) x 35(H) mm	Tube : 29(Dia) x 115(H) mm Rack : 170(W) x 210(L) x 35(H) mm
Packing	50 pcs/ Pack , 2 Racks	
Graduation	<ul style="list-style-type: none"> - 14 ml - 13 ml - 12 ml - 11 ml - 10 ml - 9 ml - 8 ml - 7 ml - 6 ml - 5 ml - 4 ml - 3 ml - 2 ml 	<ul style="list-style-type: none"> - 50 ml - 45 ml - 40 ml - 35 ml - 30 ml - 25 ml - 20 ml - 15 ml - 10 ml - 7.5 ml - 5 ml

Note :

Autoclavable

Food Grade

Leakproof

PP