

Glass Filtration Apparatus



VF 12



Features

- ▶ VF 12 can filtrate and store solution directly in GL45 storage bottle without the need of being transferred from the receiver flask.

Applications

Purification of organic, corrosive liquid such as solvent, mobile phase for HPLC, GC and AA analysis.

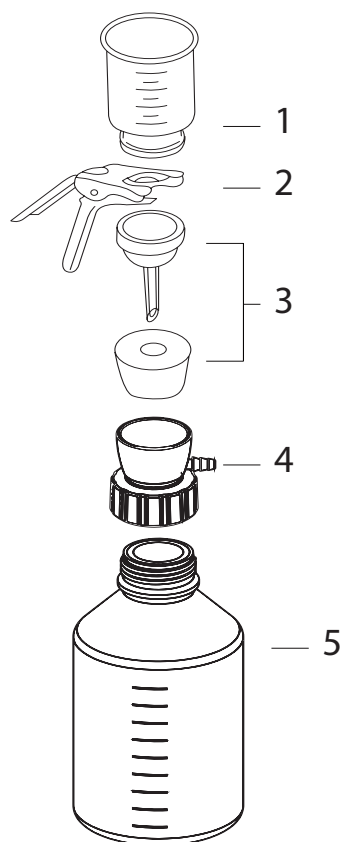
Specifications

Material	VF 12
Funnel	Borosilicate glass
Support base	Borosilicate glass
Membrane support	Sintered glass
Clamp	Aluminum
Filtration adaptor	PP (Autoclavable)
Receiver flask	Borosilicate glass

Specifications

Funnel capacity	300 ml
Flask capacity	1000 ml
Filter diameter	47 mm
Hose barb	ID 4~ID8

* The flask withstands nearly full vacuum for use in vacuum filtration.



VF 12

Ordering Information

VF 12, Glass Filtration Set		167200-12
300 ml Glass filter holder		167120-31
1	Glass funnel, 300 ml	167210-03
2	Aluminum clamp	167240-01
3	Sintered glass support base (Including No.8 silicone stopper)	167230-03
4	Filtration adaptor for GL45 bottle	197000-65
5	Laboratory glass bottle, 1000 ml	197000-59

>> **9,000 THB** <<
(Exclude VAT)